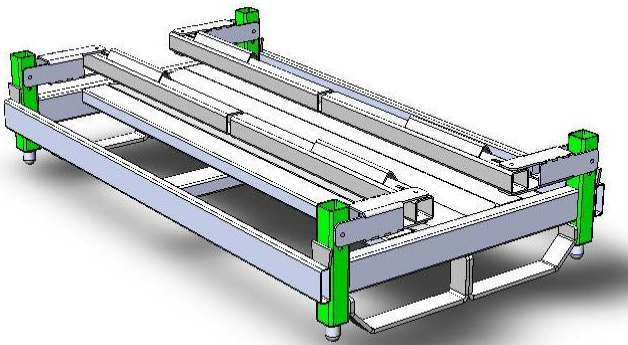


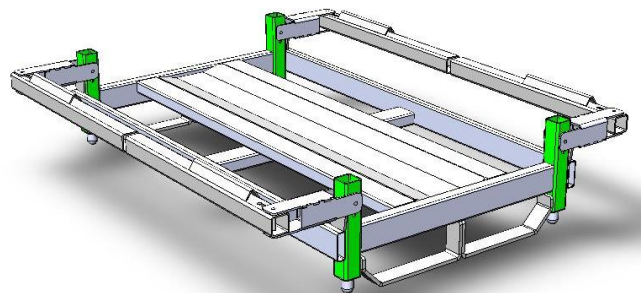


*"From Creative Concepts Come Ideal Solutions"*

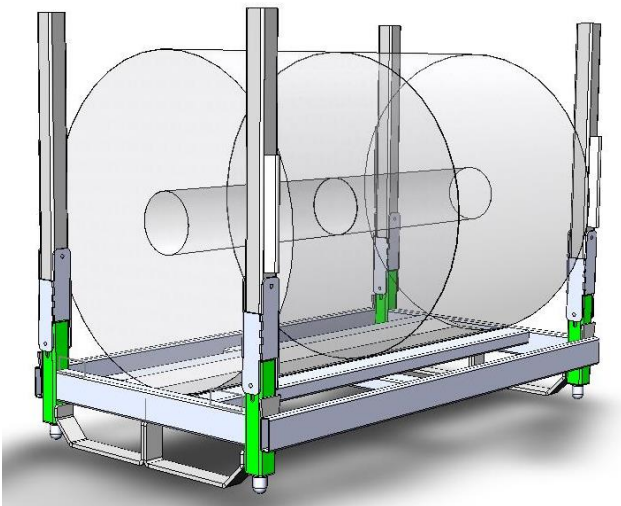
**"TRINGE" CORNER POST DESIGN**  
**FOR**  
**FOLDABLE SHIPPING RACKS**  
(PATENT PENDING)



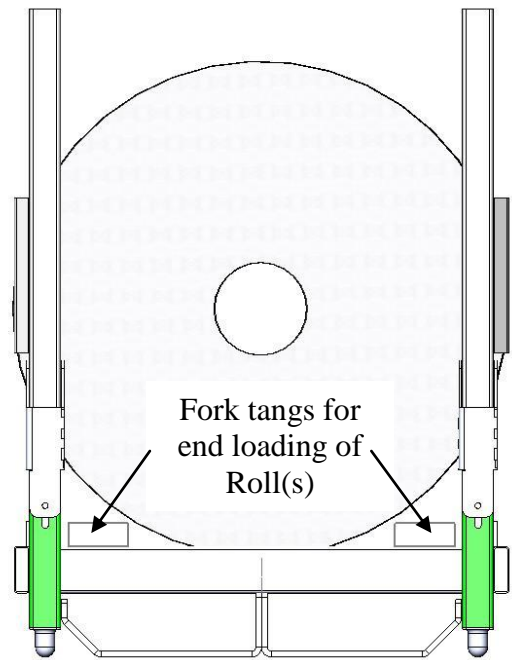
UNLOADED STACKABLE



OPEN TO SIDE FOR LOADING



2 ROLLS ON CRADLE BASE



32" OD ROLL – 3 WIDE IN REFR TRAILER

With the "TRINGE" Corner Post the corners are folding flat on the deck when empty and folding to the outside of the length for loading. Corners provide stacking for maximize the trailer load. The design provides for slim corners with tight tolerances for max density of materials in trailers.

The "TRINGE" design allows for the deck to be configured for other types of materials.  
Contact us for the Ideal Solutions for your specific project